

Canopy | FuelLED Recessed Canopy

CAT#: _____ Job: _____ Type: _____



Features

Built for superior LED performance packed with features

- Stylish vertically finned die-cast lower heatsink and aluminum driver box above the canopy
- Designed for optimal thermal transfer and easy installation
- Made from low-copper marine-grade cast aluminum
- Optical assembly designed to exceed IP66 design standards allowing for light hose-down cleaning
- Application-specific optics maximize energy efficiency by focusing illumination on key areas and preventing wasted light
- All-inclusive housing provides an integral wiring and driver compartment for ease of installation
- Replaceable LED module enables future upgrades/ service for the LED light engine
- Thermal frame technology provides state-of-the-art passive cooling in the most demanding environments
- Choice of 16 high-brightness LED configurations with individual acrylic lenses to produce a square or round distribution for multiple applications
- 3500K, 80 CRI; 5100K, 70 CRI

Certifications/Listings



Ordering Information

FLED-R 24 7 UNV CVQ 5 WH _____

SERIES	NO. OF LEDS	DRIVE CURRENT	DISTRIBUTION	CCT	COLOR	RETROFIT ACCESSORIES
FLED-R LED under canopy light	24	60 watts	CVQ Concentrated square	3	3500K DB Dark Bronze	FLEDR-RT1 Surface mounted retrofit for Whiteway Vision, Riviera 2, Thunderbird, 21" housing
	36	89 watts		5	5100K WH White	FLEDR-RT2 Surface mounted retrofit for Whiteway Riviera 1, LSI Masters/Dakota, 22" housing
	48	115 watts	CVD Concentrated round			FLEDR-RT3 Surface mounted retrofit for Jet Philips, 23" housing
	60	141 watts				FLEDR18CP Retrofit kit for Whiteway Civic, LSI Richmond
			VOLTAGE			FLEDR12CP 12" square backer plate for 9" mounting hole
			UNV	120-277		FLED22 2X2 Recessed troffer retrofit kit
				347		FLEDDSMF Double Skin Canopy mounting plate/ no top access mounting plate
				480		

Whiteway Quick Ship:

FLED-R-60-7-UNV-CVQ-5-WH

Specifications

Construction:

- One piece die-cut silicon gasket with mechanically compressed cast aluminum bezel ensures weatherproof seal around each individual LED for IP 65 rating
- Shipping weight - 19lbs

Electrical:

- Universal input voltage 120-277 VAC, 50/60 Hz
- Automatic thermal self-protection
- LED drivers have output power over-voltage, over-current protection and short circuit protection with auto recovery
- LED electrical assembly, including PR devices, consumes no power in the 'off' state
- Surge protection standard
- Expected life: 60,000 hours

Installation:

- Unique two-piece design allows for simple installation into 4" mounting hole. Installs into 12" or 16" canopy deck pan. Retro kits available for all existing luminaires

Optics:

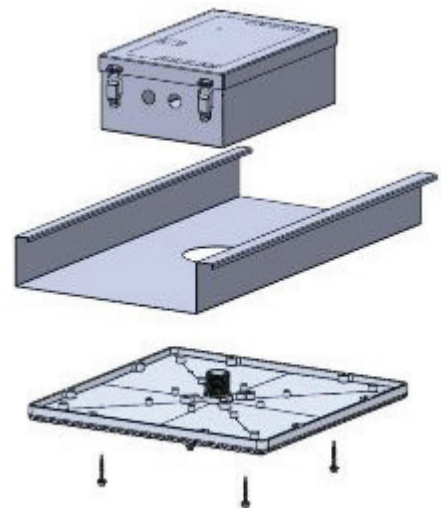
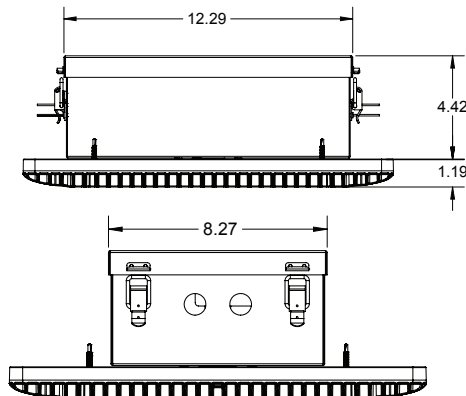
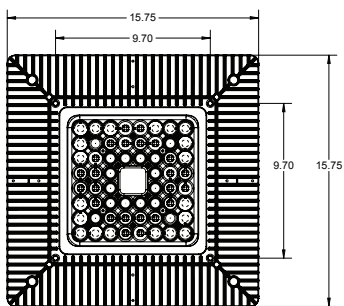
- Concentrated Square distributions consists of dual-optic bezel for optimal horizontal and vertical footcandles

Warranty:

- 5 year

Listings:

- CSA
- DesignLights Consortium qualified
- Lighting Facts



Performance Summary

Type	Engine	Delivered Lumens	No. of LEDs	CCT	Wattage	Lumens per watt	Replaces
CVQ Concentrated square	24-N-700	5,750	24	5100K	60	99	175W
	36-N-700	9,186	36		89	103	250W
	48-N-700	12,032	48		115	105	320W
	60-N-700	15,170	60		141	108	400W
CVD Concentrated round	24-N-700	5,730	24	5100K	60	99	175W
	36-N-700	9,325	36		89	104	250W
	48-N-700	12,300	48		115	108	320W
	60-N-700	15,347	60		141	109	400W

All performance data has been acquired by physical test reports conducted to LM-79-08 standards in a controlled testing laboratory.